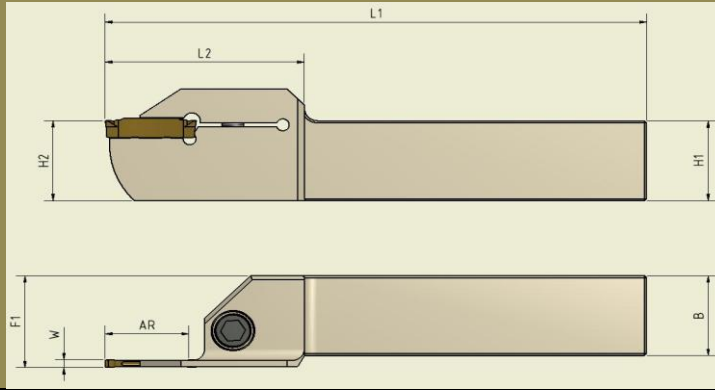
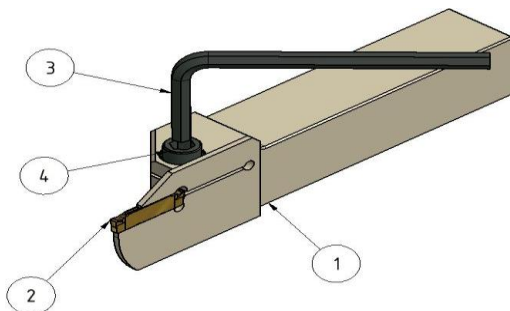


Suporte para canal externo - CXZYR/L



Desenho ilustrativo de suporte DIREITO

Descrição	Sentido	B	H1	W	AR	F1	H2	L1	L2
CXZYR1212HD0600	R	12	12	2	6	16	12	100	29
CXZYL1212HD0600	L	12	12	2	6	16	12	100	29
CXZYR1212HD1000	R	12	12	2	10	16	12	100	29
CXZYL1212HD1000	L	12	12	2	10	16	12	100	29
CXZYR1616HD1000	R	16	16	2	10	20	16	100	29
CXZYL1616HD1000	L	16	16	2	10	20	16	100	29
CXZYR1616HD1800	R	16	16	2	18	20	16	100	46
CXZYL1616HD1800	L	16	16	2	18	20	16	100	46
CXZYR2020KD1800	R	20	20	2	18	23	20	125	46
CXZYL2020KD1800	L	20	20	2	18	23	20	125	46
CXZYR2525MD1800	R	25	25	2	18	28	25	150	46
CXZYL2525MD1800	L	25	25	2	18	28	25	150	46
CXZYR1212HF0600	R	12	12	3	6	16	12	100	29
CXZYL1212HF0600	L	12	12	3	6	16	12	100	29
CXZYR1212HF1000	R	12	12	3	10	16	12	100	29
CXZYL1212HF1000	L	12	12	3	10	16	12	100	29
CXZYR1616HF1000	R	16	16	3	10	20	16	100	29
CXZYL1616HF1000	L	16	16	3	10	20	16	100	29
CXZYR1616HF1800	R	16	16	3	18	20	16	100	46
CXZYL1616HF1800	L	16	16	3	18	20	16	100	46
CXZYR2020KF1800	R	20	20	3	18	23	20	125	46
CXZYL2020KF1800	L	20	20	3	18	23	20	125	46
CXZYR2525MF1800	R	25	25	3	18	28	25	150	46
CXZYL2525MF1800	L	25	25	3	18	28	25	150	46
CXZYR1616HG1000	R	16	16	4	10	20	16	100	34
CXZYL1616HG1000	L	16	16	4	10	20	16	100	34
CXZYR2020KG1800	R	16	16	4	18	23	16	100	42
CXZYL2020KG1800	L	16	16	4	18	23	16	100	42
CXZYR2020KG2200	R	20	20	4	22	23	20	125	51
CXZYL2020KG2200	L	20	20	4	22	23	20	125	51
CXZYR2525MG2200	R	25	25	4	22	28	25	150	51
CXZYL2525MG2200	L	25	25	4	22	28	25	150	51
CXZYR1616HH1000	R	16	16	5	10	20	16	100	34
CXZYL1616HH1000	L	16	16	5	10	20	16	100	34
CXZYR1616HH1800	R	16	16	5	18	20	16	100	42
CXZYL1616HH1800	L	16	16	5	18	20	16	100	42
CXZYR2020KH1800	R	20	20	5	18	23	20	125	42
CXZYL2020KH1800	L	20	20	5	18	23	20	125	42
CXZYR2525MH2200	R	25	25	5	22	28	25	150	51
CXZYL2525MH2200	L	25	25	5	22	28	25	150	51



Componentes

B	H1	Parafuso	Chave
12	12		
16	16	HSC05012Z	HKY40RZ
20	20		
25	25	HSC06020Z	HKY50RZ