



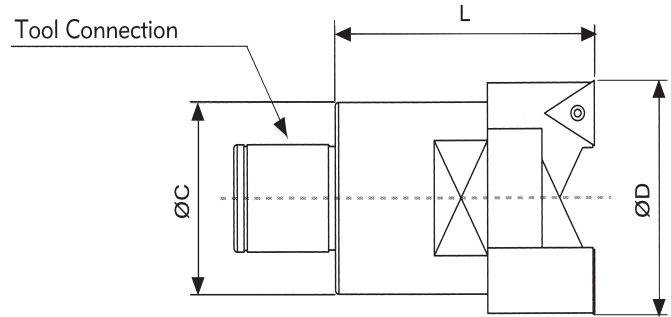
Indexable Twin-bit Rough Boring Head RBH



VERTEX®

VMH-SYSTEM

Boring diameter from $\varnothing 25$ - $\varnothing 350$ mm



- C ◆
- INSERT STYLE -T ▲
- S ■

	ORDER NO.	Tool connection	D(mm) Boring Range		L (mm)	C (mm)	Insert	Weight (g)	CODE NO.
	RBH25-33-C	VBK2	25	33	45	24	CCMT060204	0.15	3320-270
	RBH32-42-C	VBK3	32	42	55	31	CCMT060204	0.3	3320-271
	RBH32-42-T						TCMT110204		3320-272
	RBH40-55-C	VBK4	40	55	65	39	CCMT09T304	0.5	3320-273
	RBH40-55-T						TCMT16T304		3320-274
	RBH40-55-S						SCMT09T304		3320-275
	RBH52-70-C	VBK5	52	70	75	50	CCMT09T304	1	3320-276
	RBH52-70-T						TCMT16T304		3320-277
	RBH52-70-S						SCMT09T304		3320-278
	RBH68-92-C	VBK6	68	92	85	64	CCMT120408	2	3320-279
	RBH68-92-T						TCMT16T304		3320-280
	RBH68-92-S						SCMT120404		3320-281
	RBH90-122-C	VBK6	90	122	100	80	CCMT120408	2.9	3320-282
	RBH90-122-T						TCMT220408		3320-283
	RBH90-122-S						SCMT120404		3320-284
	RBH120-164-C	BST	120	164	95	100	CCMT120408	3.8	3320-285
	RBH120-164-T						TCMT220408		3320-286
	RBH120-164-S						SCMT120404		3320-287
	RBH160-204-C		160	204		130	CCMT120408	4.8	3320-288
	RBH160-204-T						TCMT220408		3320-289
	RBH160-204-S						SCMT120404		3320-290
	RBH200-300-C	BST Series	200	300	95	170	CCMT120408	6.5	3320-291A
	RBH200-300-T						TCMT220408		3320-292A
	RBH200-300-S						SCMT120404		3320-293A
	RBH300-400-C		300	400		260	CCMT120408	10	3320-297A
	RBH300-400-T						TCMT220408		3320-298A
	RBH300-400-S						SCMT120404		3320-299A