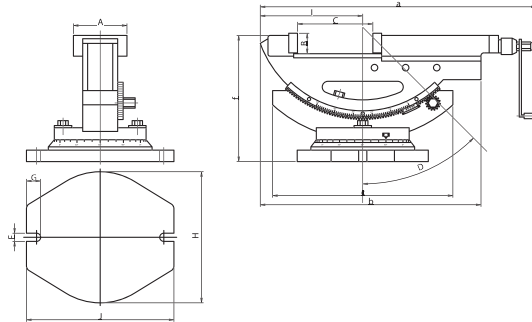


Tilting Hydraulic Machine Vise



- The same as characters of VH type. Swivel base same as VH type.
- Tilting seat set by two locking screws, works in high stability.
- Angle setting ranges from 0°~50°. Tilting degrees graduated for easy reading. Swivel base graduated to 360° and fixable in any position.
- THE (3 STEPS CLAMPING POSITION) SAME AS VH TYPE.
- Accuracy within 0.02mm
- Hydraulic-booster system is guaranteed for using 2 years limited.

HYDRO-BOOSTER

ACCURACY GUARANTEE
0.01/100 MM 0.02/50

TABLE HARDNESS

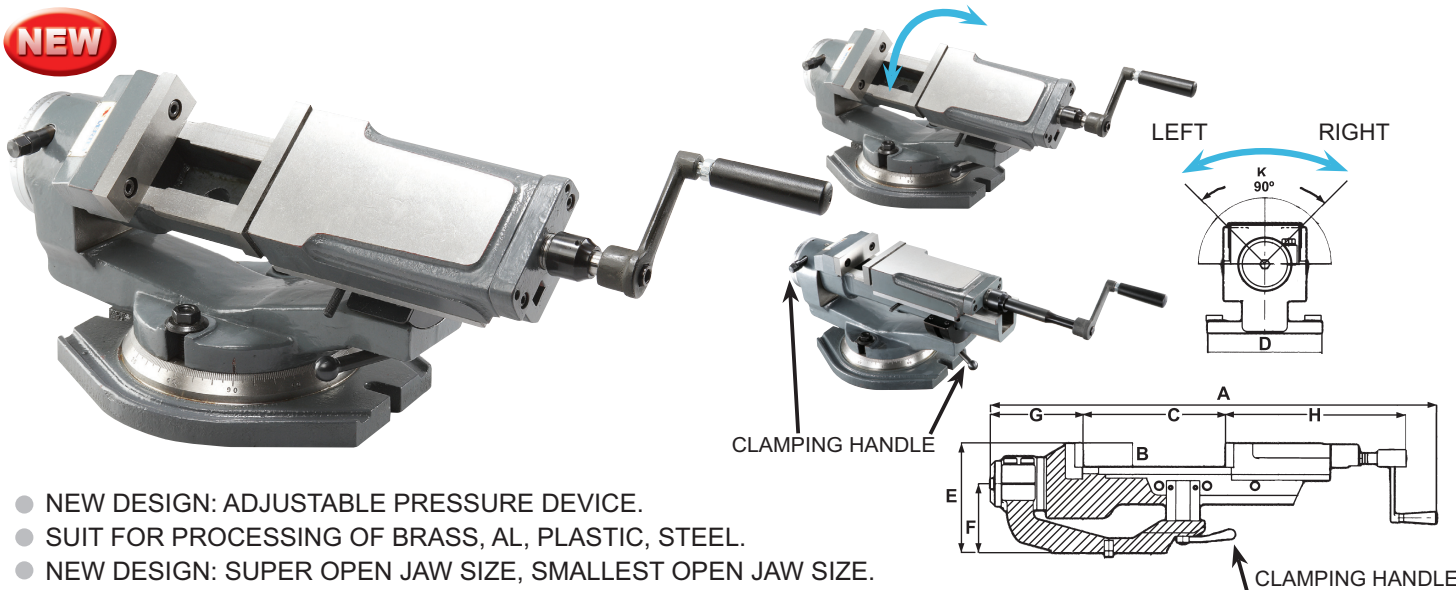
BENDING PROOF

PAT.

| ORDER NO. | A | B | C OPEN | D | E | F | G | H | J | a | b | c | f | Max. Clamp Force (kgf) | G.W. (kgs) | Meas CFT | CODE NO. |
|-----------|-----|----|--------|-----|----|----|----|-----|-----|-----|-----|-----|-----|------------------------|------------|----------|----------|
| VHT-4 | 110 | 36 | 170 | 50° | 15 | 15 | 26 | 240 | 270 | 500 | 404 | 335 | 230 | 2500 | (W)33.3 | 1.2 | 1002-020 |
| VHT-6 | 154 | 54 | 300 | 50° | 20 | 19 | 28 | 300 | 330 | 800 | 585 | 415 | 290 | 4500 | (W)88 | 4.4 | 1002-021 |

Universal Tilting Hydraulic Machine Vise

NEW



- NEW DESIGN: ADJUSTABLE PRESSURE DEVICE.
- SUIT FOR PROCESSING OF BRASS, AL, PLASTIC, STEEL.
- NEW DESIGN: SUPER OPEN JAW SIZE, SMALLEST OPEN JAW SIZE.

LOCK PROOF SYSTEM: PREVENT WRONG CLAMPING FORCE STUCKS THE VISE.

- 45 DEGREE TILTING FUNCTION, ALLOW 90 DEGREE PROCESSING!
- TILTING FUNCTION HAS MORE WORK FREE ALLOWANCE WILL NOT BLOCK OR HIT MACHINE!
- LOWER OVERALL HEIGHT PROVIDES MORE SPACE FOR HEAVY CUTTING STABILITY AND BIGGER WORKPIECE!
- TILTING STRUCTURE HAS STRONG TIGHTENING DESIGN.
- ALL FUNCTION SAME AS VH SERIES. EXCEPT THE TILTING STRUCTURE.

HYDRO-BOOSTER

ACCURACY GUARANTEE
0.01/100 MM 0.02/50

TABLE HARDNESS

BENDING PROOF

PAT.

| ORDER NO | A | B | C OPEN | D | E | F | G | H | i | j | Max. Clamp Force (kgf) | K Max. Degree | G.W. (kgs) | CODE NO. |
|----------|-----|----|--------|------|-----|-----|-----|-----|-----|-----|------------------------|---------------|------------|----------|
| VHT-4U | 653 | 36 | 170 | ø162 | 165 | 104 | 169 | 263 | 141 | 80 | 3750 | 90° | 37.39 | 1002-025 |
| VHT-6U | 942 | 51 | 300 | ø242 | 231 | 145 | 196 | 380 | 199 | 125 | 5250 | 90° | 93.96 | 1002-026 |