



ER Spring Collet Chuck System

Collet Holders With BT Taper Shank
(For CNC Machine Center)
ER-32 ER-40

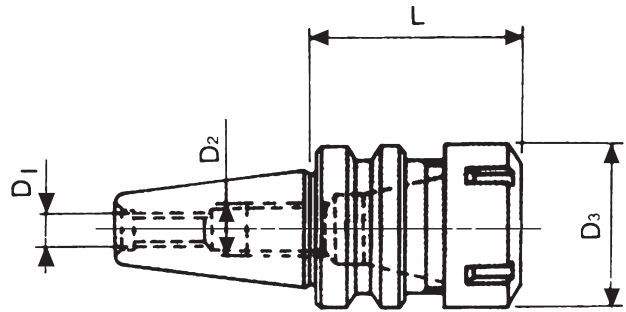


VERTEX[®]

MAS403 BT-SHANK



ACCURACY
RUNOUT 0.005m/m
TAPER SHANK AT-3
R.P.M. 7000



BT-40-ER32

BT-40-ER20M

ORDER NO.	TAPER	COLLET TYPE	D1	D2	D3	L	KGS	CODE NO.	
V-700	BT30	ER32	M12	M12X1.75P	50	60	0.7	3031-303	
V-703A	BT40	ER32	M16X2.0P	M22X1.5P	50	70	1.4	3032-305	
V-703B		ER32	M16X2.0P	M22X1.5P	50	100	1.7	3032-306	
V-704		ER40	M16X2.0P	M22X1.5P	63	80	1.7	3032-307	
V-704B		ER40	M16X2.0P	M22X1.5P	63	100	2	3032-421	
V-705		BT50	ER32	M24X3.0P	M28X1.5P	50	100	4.5	3033-305
V-706	ER40		M24X3.0P	M28X1.5P	63	100	4.6	3033-306	
V-706B	ER40		M24X3.0P	M28X1.5P	63	150	5.7	3033-307	
V-707	ER50		M24X3.0P	M36X1.5P	78	100	5.1	3033-308	
V-710	BT30	ER11	M12	M12X1.75P	19	60	0.5	3033-311	
V-711		ER11	M12	M12X1.75P	19	100	0.6	3033-312	
V-712		ER11M	M12	M12X1.75P	16	100	0.9	3033-313	
V-713		ER16	M12	M12X1.75P	28	100	0.8	3033-314	
V-714		ER16M	M12	M12X1.75P	22	100	0.7	3033-315	
V-715		ER20	M12	M12X1.75P	34	60	0.6	3033-316	
V-716		ER20	M12	M12X1.75P	34	100	0.9	3033-317	
V-717		ER20M	M12	M12X1.75P	28	100	0.9	3033-318	
V-718		ER25	M12	M12X1.75P	42	60	0.7	3033-319	
V-719		ER40	M12	M12X1.75P	63	70	1	3033-320	
V-720		BT40	ER11	M16	M22X11.5P	19	70	1.2	3033-321
V-721			ER11	M16	M22X11.5P	19	100	1.5	3033-322
V-722A			ER11M	M16	M22X11.5P	16	100	1.05	3033-323
V-722B	ER11M		M16	M22X11.5P	16	150	1.3	3033-323A	
V-723A	ER16M		M16	M22X11.5P	22	100	1.3	3033-324	
V-723B	ER16M		M16	M22X11.5P	22	150	1.5	3033-330	
V-724A	ER20M		M16	M22X11.5P	28	100	1.6	3033-325	
V-724B	ER20M		M16	M22X11.5P	28	150	1.6	3033-331	
V-725	ER25		M16	M22X11.5P	42	70	1.3	3033-326	
V-726	ER25		M16	M22X11.5P	42	100	1.6	3033-327	
V-727	ER50		M16	M22X11.5P	78	90	2.2	3033-328	