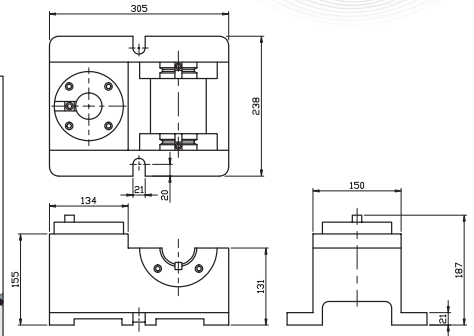


Deluxe Type Tool Setting Stand



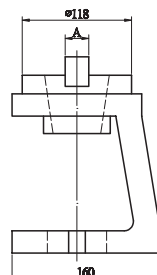
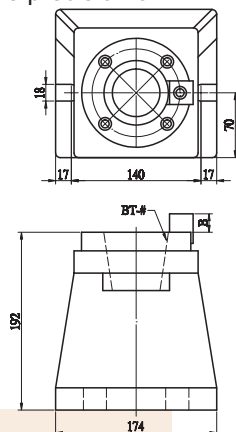
- This tool setting stand is one kind of subsidize tool for helping machine center to work efficiently. To be used fixing the tools on tool holder. It could avoid the method of using draw bar to fix (on machine center). It is safe, and doesn't effect the precision of machine's spindle.
- It's best for using on horizontal or vertical lines, simple & quick operations.
- A multi-function tool, it is changeable, has two kinds of specifications can be used. That is to say, one machine could be used as two sets machines.
- Additional special accessories to make your operating more convenient.
- CAT & SK share same model.

ORDER NO.	SHANK TAPERS		WEIGHT (kgs)	CODE NO.
	TOOL POST	ADAPTER HOLDING		
VTD-1	BT-#40x1	BT-#40x2	22.4	3405-001
VTD-2	BT-#50x1	BT-#50x2	22	3405-002
VTD-3	BT-#50x1	BT-#50x1 BT-#40x1	24	3405-003
VTD-4	BT-#40x1	BT-#50x1 BT-#40x1	24	3405-004
VTD-5	SK-40x1	SK-40x2	26	3405-005
VTD-6	SK-50x1	SK-50x2	24	3405-006
VTD-7	SK-50x1	SK-50x1 SK-40x1	25	3405-007
VTD-8	SK-40x1	SK-50x1 SK-40x1	25	3405-008
VTD-9	BT-30x1	BT-30x2	23	3405-009
VTD-10	SK-30x1	SK-30x2	23	3405-009A

Simple Type Tool Setting Stand



- This tool setting stand is one kind of subsidize tool for helping machine center to work efficiently. To be used fixing the tools on tool holder. It could avoid the method of using draw bar to fix (on machine center). It is safe, and doesn't effect the precision of machine's spindle.
- It is simple structive type. And could fix tooling on the above and hold the pull studs on the below of it. This is the excellent helping tools for simple, rapid and safe.



ORDER NO.	SHANK TAPERS	STD	WEIGHT (kg)	CODE NO.
VTS-BT-30	30	BT ISO NT	11.9	3405-010
VTS-BT-40	40		12.4	3405-011
VTS-BT-50	50		11.9	3405-012
VTS-SK-30	30	CAT DIN 69871A	13	3405-013
VTS-SK-40	40		12.4	3405-014
VTS-SK-50	50		12	3405-015